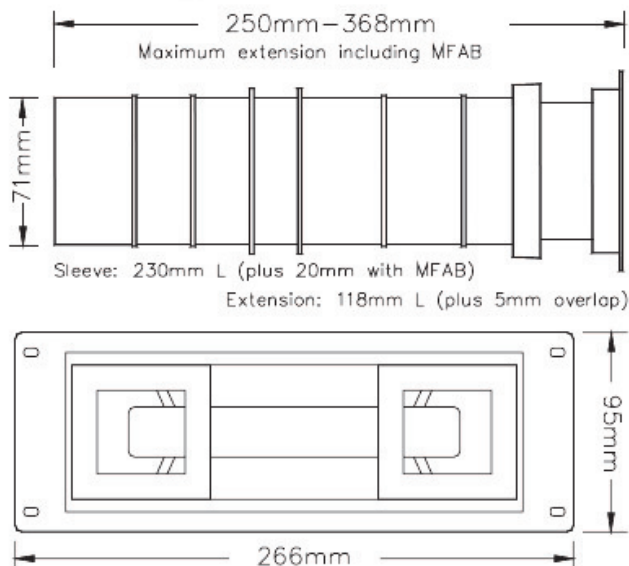


Technical Data Sheet

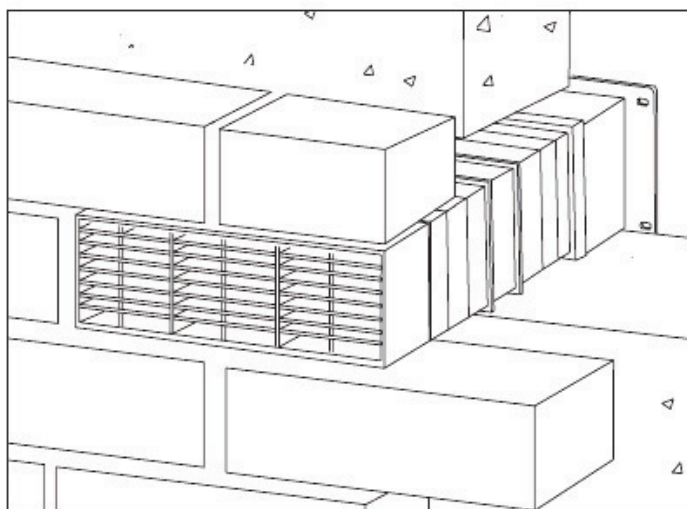
'9 x 3' Acoustic Cavity Liner Set with Hit & Miss Ventilator

(Sound, Light and Draught Reducing)

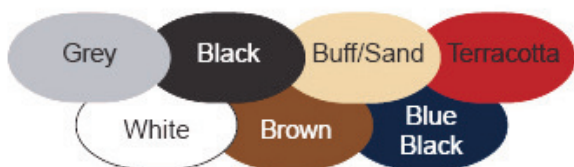
Dimensional Drawing



In-Situ Line Drawing



Colour Key



ventilator into the flange of the Cavity Liner. Consideration should be given to using '9 x 3' Cowl (ABC3) in exposed areas. To avoid discomfort from cold draughts the ventilator should be sited not less than 1.7m above floor level.

Extra Features and Benefits

Air brick louvres promote unrestricted air flow and reduce the risk of blockage as well as keeping large insects out. Also features built-in water baffles to prevent water penetration.

External baffles on the Cavity Liner prevent water transfer across the cavity. Flush face and slim design of the hit & miss gives a neat internal appearance. Hit & miss quickly and easily installed and removed for cleaning.

Main Uses, Features and Benefits

- Acoustic background ventilator for a habitable room.
- D n,e,w rating BRE tested to BS EN ISO 717-1:1997.
- Equivalent area BRE tested at 1 Pa to BS EN 13141-1:2004.
- Internal Cavity Liner baffle reduces light and draughts.
- Manually controllable internal hit & miss vent with flyscreen.
- U.V. stabilised air brick and hit & miss ventilator.
- Set contains Air Brick, '9x3' Acoustic Cavity Liner plus Hit & Miss Ventilator '9x3'

Sound Reduction: 38 dB D n,e,w

Equivalent Area: 2305mm² (23.05cm²) (3½"²)

Important Note

Testing was carried out without an internal ventilator, therefore the 38 dB rating should be considered a minimum as once Hit & Miss Ventilator '9 x 3' is fitted a higher figure may be achieved.

Size:

MFAB & TAL4000: 220mm (W) x 71mm (H).
Extends from 250mm to 368mm (L) with Air Brick fitted.
HM43F: 271mm (L) x 95mm (H).

Composition:

MFAB: U.V. stabilised polypropylene.
TAL4000: Rigid Liner - Polypropylene.
TAL4000: Insert Sleeve - Polypropylene containing sound absorbent foam panels.
HM43F: U.V. stabilised high impact polystyrene.

Installation

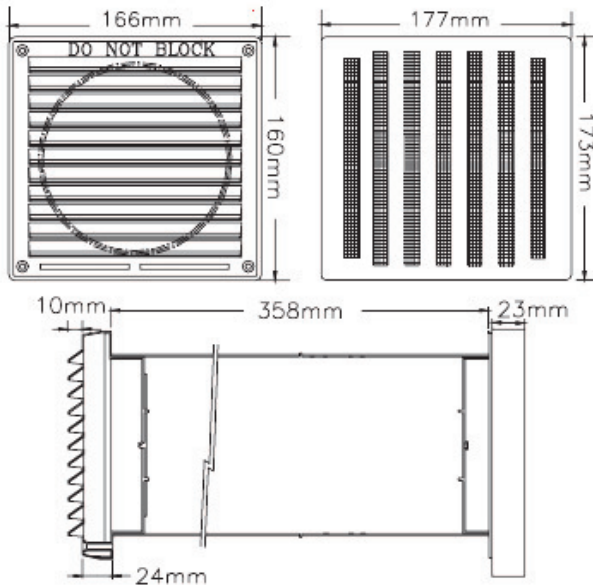
No special fixing required. Build in air brick and cavity liner as work proceeds.

Extend telescopic sleeve as necessary. Fasten hit & miss ventilator into the flange of the Cavity Liner. Consideration should be given to using '9 x 3' Cowl (ABC3) in exposed areas. To avoid discomfort from cold draughts the ventilator should be sited not less than 1.7m above floor level.

Technical Data Sheet

125mm Acoustic Core Ventilator with Hit & Miss (Sound Reducing)

Dimensional Drawing



Main Uses, Features and Benefits

- Main Uses, Features and Benefits
- Acoustic background ventilator for a habitable room.
- D n,e,w rating BRE tested to BS EN ISO 717-1:1997.
- Equivalent area BRE tested at 1 Pa to BS EN 13141-1:2004.
- Manually controllable internal hit & miss ventilator with flyscreen.
- For new and refurbishment projects.
- U.V. stabilised internal and external grilles.

Sound Reduction: 39 dB D n,e,w

Equivalent Area: 3633mm² (36.33cm²) (5½"²)

Size

External Louvre: 166mm (L) x 160mm (H).
 Tube: 127mm (5") (Dia.) x 358mm (L).
 Internal Hit & Miss: 177mm (L) x 173mm (H).
 R14 AutoCAD drawing available by e-mail.

Composition

External Louvre: U.V. stabilised high impact polystyrene.
 Tube: High impact polystyrene containing sound absorbent foam lining.
 Internal Hit & Miss: U.V. stabilised high impact polystyrene.

Colours

External Louvre: White, buff/sand, terracotta.
 Tube: Black.
 Internal Hit & Miss: White.

Installation

Drill a hole using a 127mm core drill. Cut tube to length if necessary. Insert tube into hole. Push fit external louvre (screw if necessary). Screw fix internal hit & miss ensuring the vent is fitted so that it can be opened and closed with a 'side to side' movement. Consideration should be given to

using Core Ventilator Cowl (ABC5) in exposed areas. To avoid discomfort from cold draughts the ventilator should be sited not less than 1.7m above floor level.

Extra Features and Benefits

Individually boxed sets for easy identification, handling and efficient installation. Interlocking components aid correct positioning, alignment and easy installation. Injection moulded one piece tube makes handling easier and installation quicker. External water baffle prevents transfer of water across the cavity. External louvre grille embossed with DO NOT BLOCK.

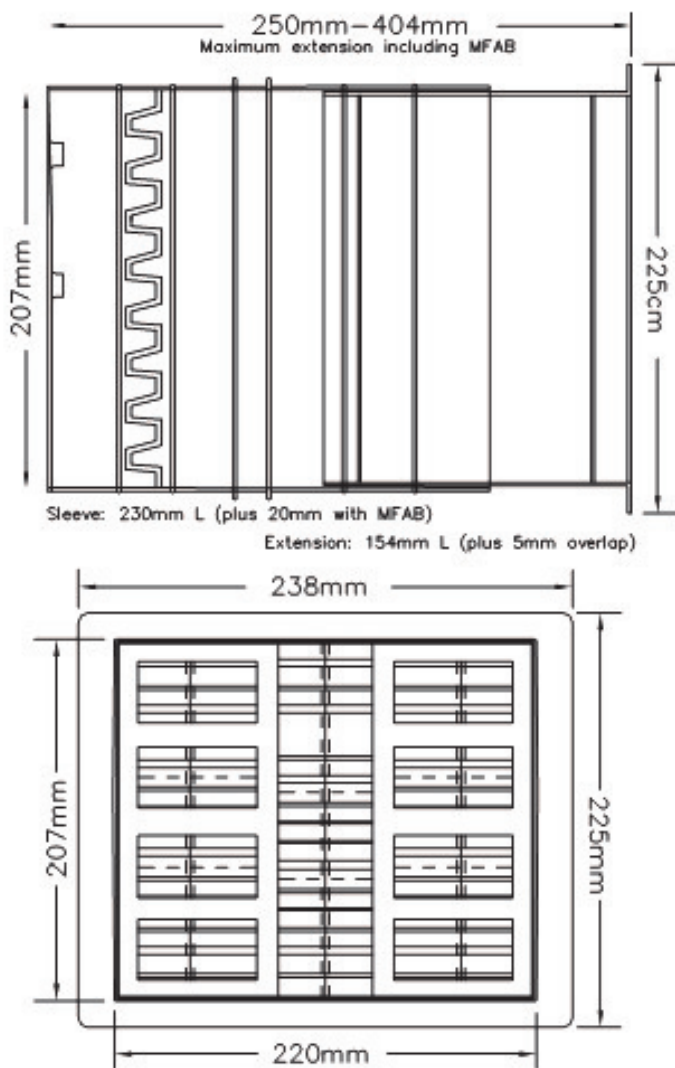
Colour Key



Technical Data Sheet

9' x 9'mm Cowled Acoustic Air Liner Set with Hit & Miss Ventilator (Sound Reducing)

Dimensional Drawing



Main Uses, Features and Benefits

- Cowled acoustic background ventilator for a habitable room.
- D n,e,w rating BRE tested to BS EN ISO 717-1:1997.
- Equivalent area BRE tested at 1 Pa to BS EN 13141-1:2004.
- Manually controllable internal hit & miss ventilator with flyscreen.
- U.V. stabilised cowl, and internal and grille.

Sound Reduction: 40 dB D n,e,w

Equivalent Area: 5000mm² (50cm²)

Size

Cowl: 274mm (L) x 235mm (H) x 103mm (D).
Acoustic Air Liner: 220mm (W) x 207mm (H).
Hit & Miss: 271mm (L) x 247mm (H).

Composition

Cowl: stabilised high impact polystyrene.
Acoustic Air Liner: Rigid Liner - Polypropylene. **Contains recycled plastic.** Insert Sleeve - Polypropylene containing sound absorbent foam panels.
Hit & Miss: U.V. stabilised high impact polystyrene.

Colours

Cowl: Terracotta
Acoustic Air Liner: Black
Hit & Miss: White

Installation

No special fixing required. Build in cavity liner with fitted air bricks as work proceeds. Extend telescopic sleeve as necessary. Fasten cowl to the brickwork through the pre-formed holes in the flange around the cowl. Fasten hit & miss ventilator internally covering the flange of the Air Liner. To avoid discomfort from cold draughts the ventilator should be sited not less than 1.7m above floor level.

Extra Features and Benefits

Individually boxed sets for easy identification, handling and efficient installation. Cowl prevents infiltration of wind driven rain and snow and alleviates air blasts through the cavity which may cause discomfort in a room. Air brick louvres promote unrestricted air flow and reduce the risk of blockage as well as keeping large insects out. Also features built-in water baffles to prevent water penetration. External Air Liner baffles prevent water transfer across the cavity. Flush face and slim design of the hit & miss gives a neat internal appearance. Hit & miss quickly and easily installed and removed for cleaning.

Colour Key

Terracotta

